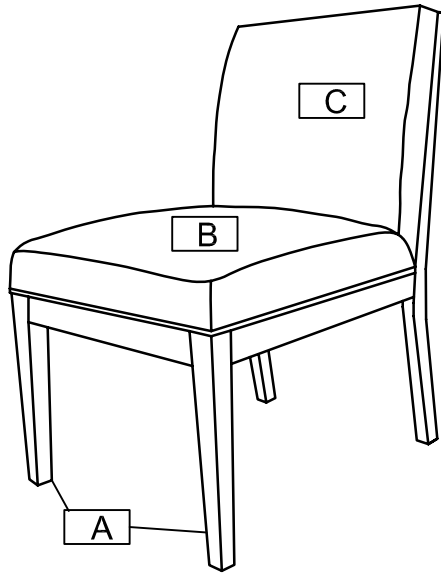








CATALINA CHAIR- ASSEMBLY INSTRUCTIONS

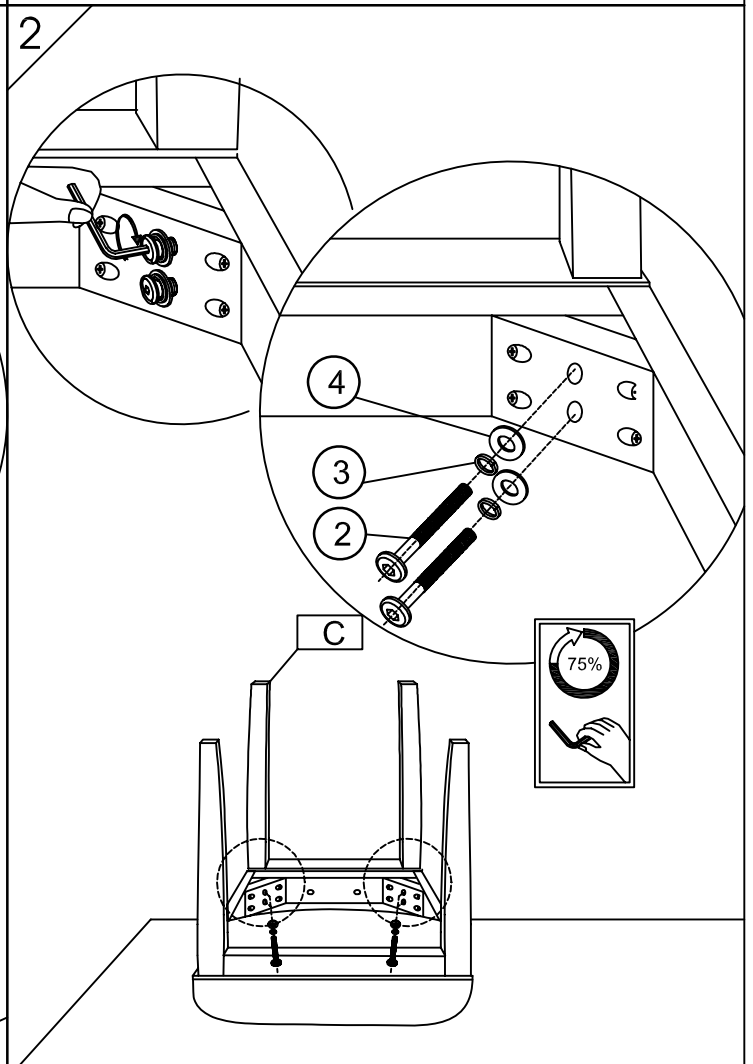
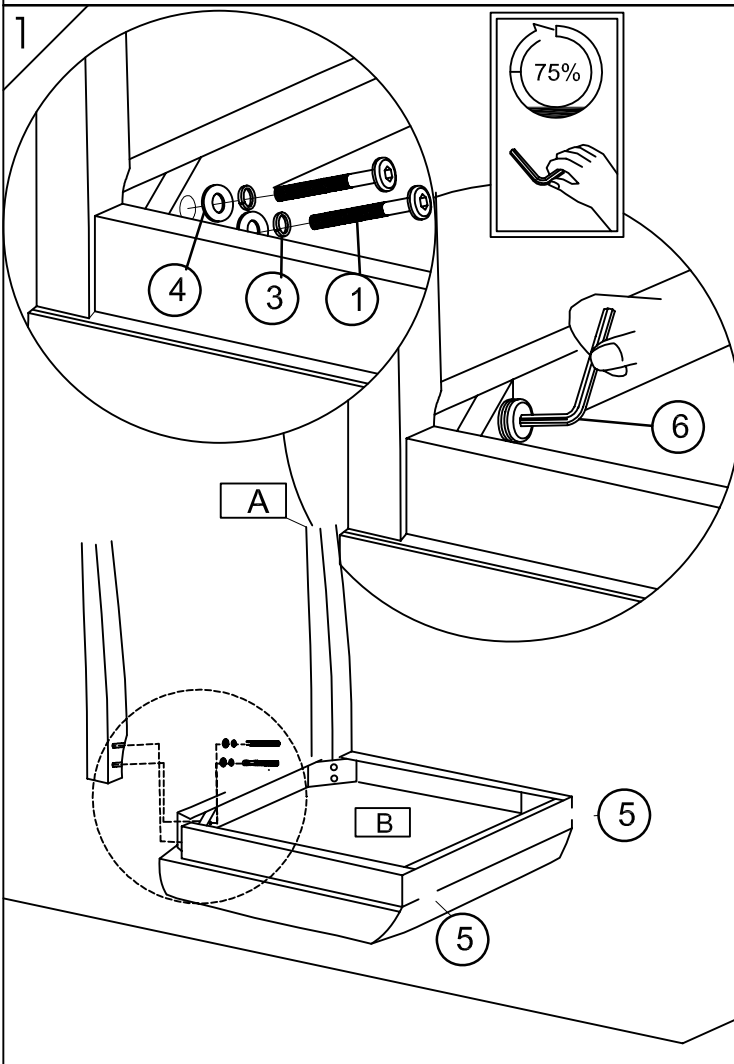


FITTING CHECK LIST

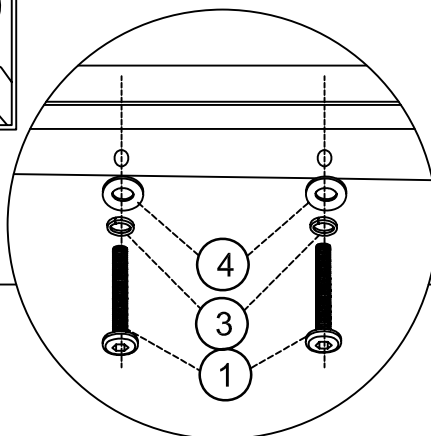
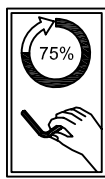
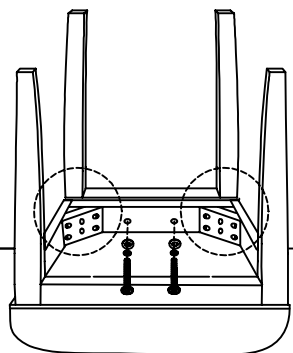
CODE	DESCRIPTION	QTY
①	JCBC screw Ø6X55 	X6
②	JCBC screw Ø6X90 	X4
③	Spring washer Ø6xØ12 	X10
④	Flat washer Ø6xØ18 	X10
⑤	Dowel 	X2
⑥	Allen key M4 	X1

PART CHECK LIST

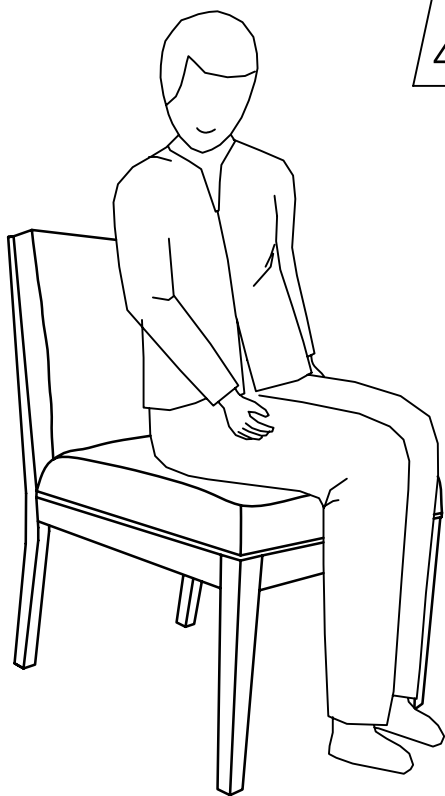
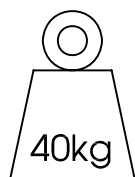
CODE	DESCRIPTION	QTY
A	Front leg	X2
B	Seat frame	X1
C	Back stand	X1



3



4



5

